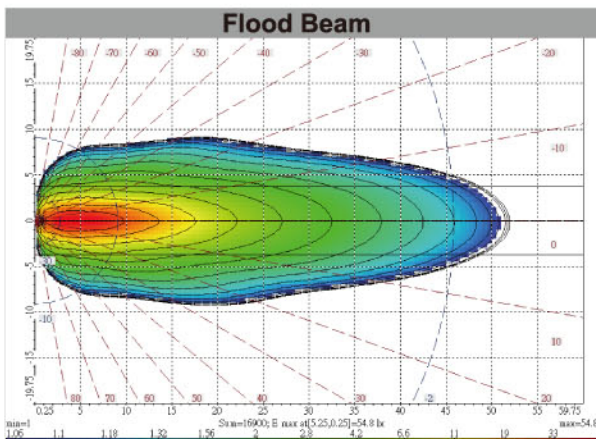
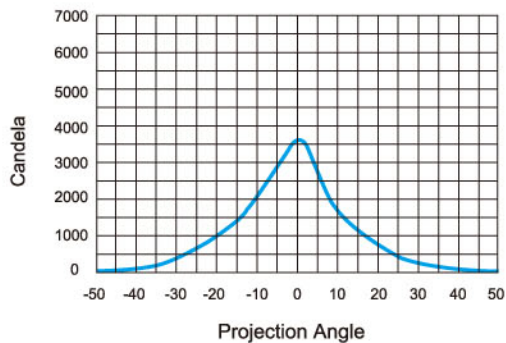
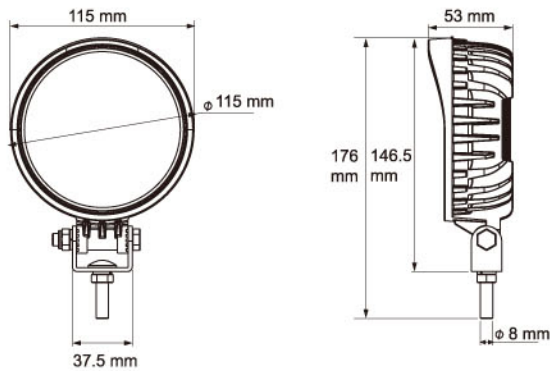


LED WORK LAMP



22808-B

- Even fading pattern without hotspots
- Water tight configuration to withstand the severe applications
- Low power consumption

Voltage	9~36V
Beam pattern	Flood
SMD high power LEDs	8
Watt	24
Raw Lumen	1920
Effective Lumen	1295
HV CD	3600
Current Draw	13.5V at 1.5A±0.22A 28V at 0.67A±0.09A
Connection	280mm cable
Weight	620g
IP Rating	IP69K
Std Pack Qty	20

Material	
lens	PC
housing	aluminum
bracket	stainless steel
hardware	stainless steel
Resistant	
water	✓
dust	✓
shock	✓
warpage	✓
temperature	-30°C ~ 50°C

