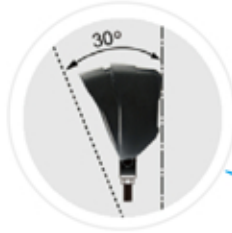
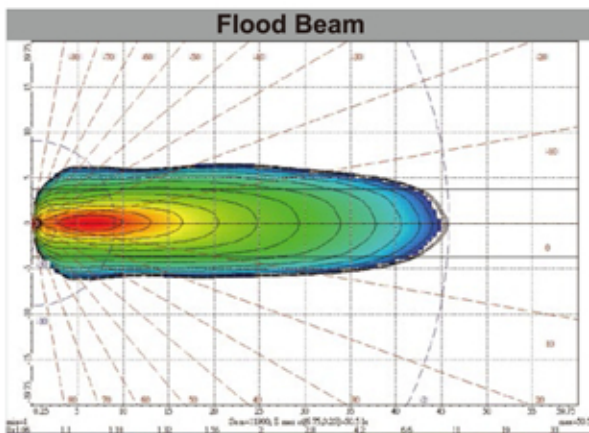
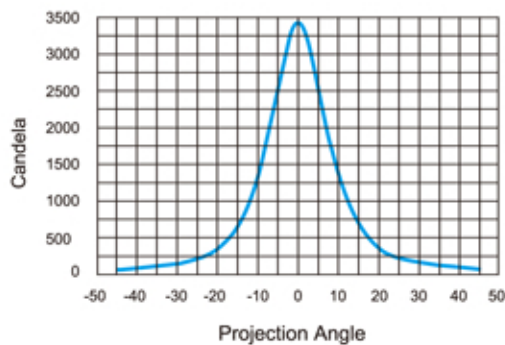
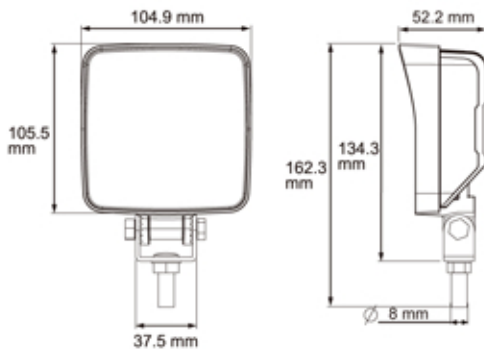


LED REVERSING WORK LAMP



Reverse function:
ECE compliance in the declination
angle of 30 degrees



22809-B / 22809ADR

- Even fading pattern without hotspots
- Low power consumption
- ECE R23 reversing homology number AR-E9-00.1332.



Voltage	12-36V
Beam pattern	Flood
SMD high power LEDs	6
Watt	18
Raw Lumen	1440
Effective Lumen	1036
HV CD	3450
Current Draw	13.5V at 1.5A±0.25A 28V at 0.5A±0.1A
Connection(22809-B)	280mm cable
Connection(22809ADR)	280mm cable
Weight	518g
IP Rating	IP69K
Std Pack Qty	20

Material	
lens	PC
housing	aluminum
bracket	stainless steel
hardware	stainless steel
Resistant	
water	✓
dust	✓
shock	✓
warpage	✓
temperature	-30°C ~ 50°C

