



Snap-on cover for easy mounting



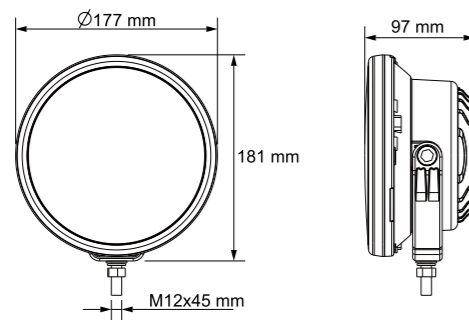
Cover 69829



Front Position

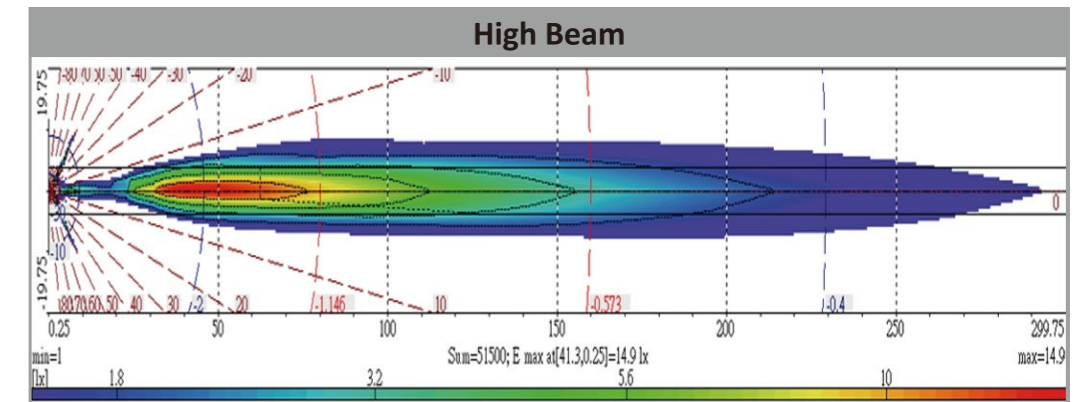
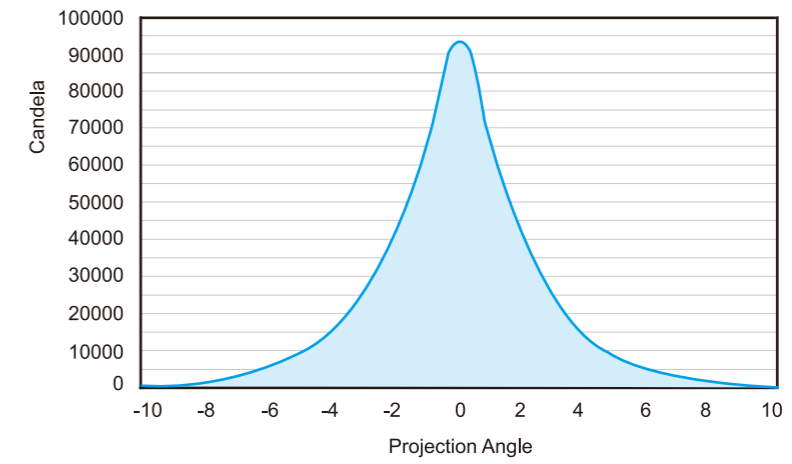


2x INSIDE VALUE PACK



22829

- ◆ High Power 9W LEDs for exceptional performance (reference no. 20)
- ◆ Optimal illumination provides excellent visibility
- ◆ Increase driver safety and comfort by reducing eye fatigue
- ◆ Engineered to withstand extreme vibration, shock, and dust
- ◆ Perfected heat management for long-lasting performance
- ◆ Aluminum alloy housing for ultra-light weight (1640g)
- ◆ Suitable for extreme terrains and climates
- ◆ Complies with E-mark regulations
- ◆ Protection cover 69829 is available upon request



Part No.	Voltage	3 SMD high power LEDs				Current Draw	Connection	Weight
		Watt	Raw Lumen	Effective Lumen	HV CD			
22829	12~36V	11	1800	1120	92000	13.5V at 0.8A±0.25A 28V at 0.39A±0.13A	250 mm cable	1640g
Front position	High beam	Cover	Material					
•	•	69829	Lens	Cover	Housing	Bracket	Hardware	
			PC	PP	aluminum	zinc cast	stainless steel	
Resistant							Std pack qty	
Dust	Shock	Warpage	Temperature				8	
•	•	•	-30°C~50°C					

