



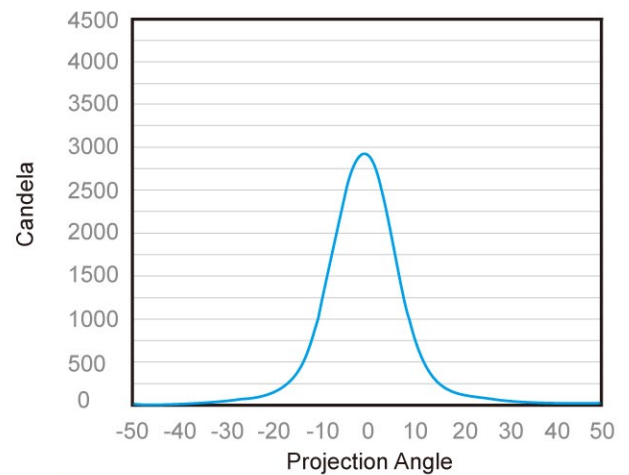
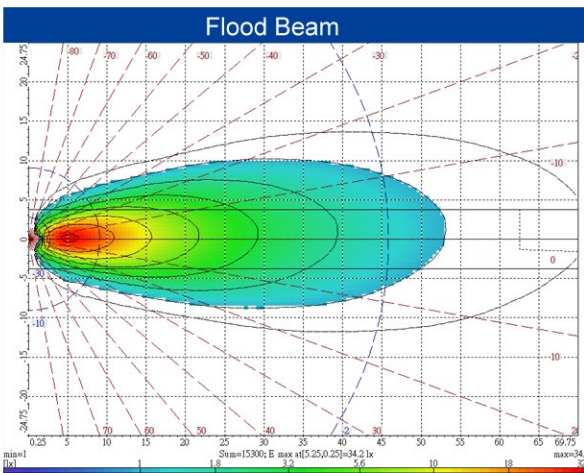
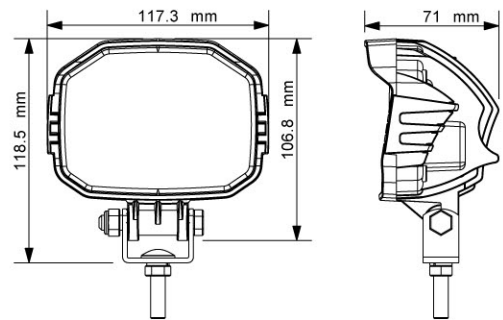
Compact Size



LED Work Lamp

NEW PRODUCT

- EMC R10 approved
- Even-fading pattern without hotspots
- Powerful 10W LED
- Water tight configuration to withstand severe applications such as vibration, corrosion, moisture and dust
- Low power consumption
- Reverse polarity protection



Part No.	Voltage	2 SMD high power LEDs				Current Draw	Connection	Weight	IP Rating
		watt	raw lumen	effective lumen	HV CD				
22850	12V~36V	17	2000	1400	2800	12.8V at 1.25±0.2A 28V at 0.54±0.15A	280mm cable	397g	IP69K
Material					Resistant				
lens	housing	bracket	hardware	water	dust	shock	warpage	temperature	
PC	aluminum	stainless steel	stainless steel	✓	✓	✓	✓	-30°C~50°C	

